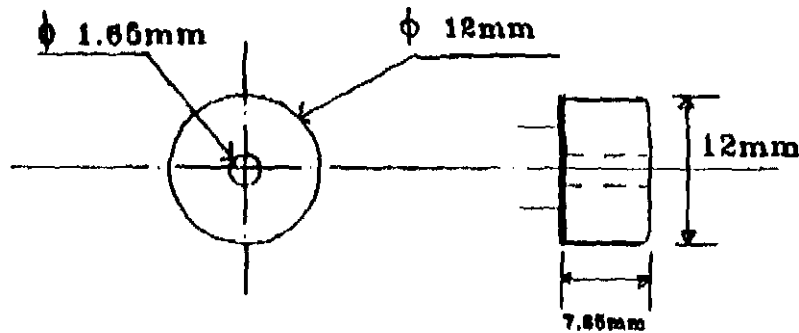


Specifications

Date: Friday, March 05, 1999

From: ITP

Part #: ITP Part #: **B12A** Piezo Ceramic Buzzer



	Parameter	Value at 12 VDC
1.	Sound Output	Min. 85dB at 12 VDC
2.	Oscillation Frequency	4.0 KHz \pm 500 Hz
3.	Current Consumption	5.5 mA at 12 VDC
4.	Operating Temperature	-20 to +50 °C
5.	Storage Temperature	-30 to +70 °C
6.	Operating Voltage	9.0 to 15.0 VDC
7.	Pin Pitch	7.6 mm
8.	Tone	Continuous
9.	Weight	2.2 gms